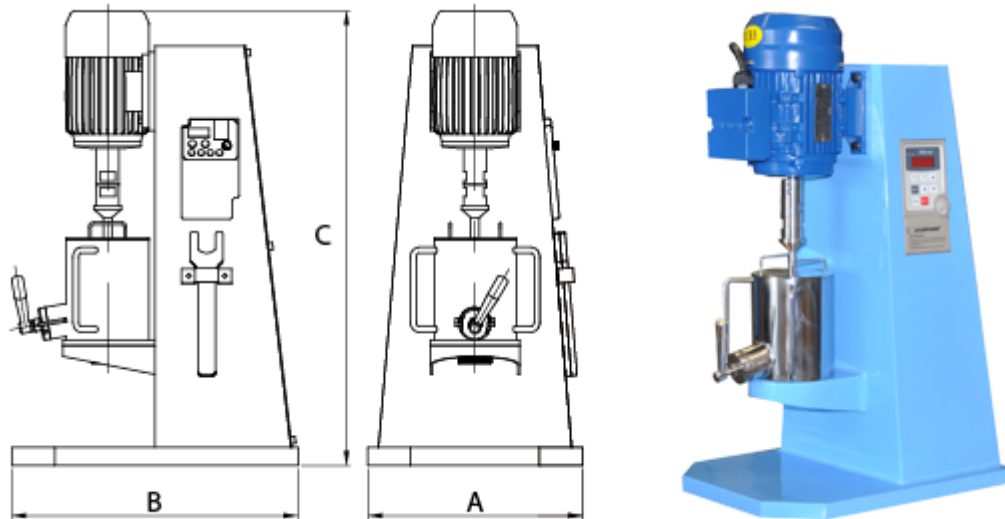




P-Mill Grinding for Laboratory

Agitator



Agitator

- ❖ Small Batch size
- ❖ Simple use
- ❖ Fixed/adjustable speed
- ❖ Double coolant tank

Option

- Explosion proof type of motor and control panel
- Adjustable speed by Inverter

Model	Shell Volume (liters)	Vessel Capacity (liters)	Out-let l/h	Mill Motor (HP)	A Width (mm)	B Length (mm)	C Height (mm)	Weight (Kg)
P-Sand 0.5-0.5	0.65	0.5	batch size	0.5	300	400	650	35 / 42
P-Sand 0.5-1.0	1.37	1.0	batch size	0.5	300	400	650	40 / 53
P-Sand 1-1.0	1.37	1.0	batch size	1.0	370	480	750	45 / 60
P-Sand 1-2.0	2.50	2.0	batch size	1.0	370	480	750	45 / 60

P.General Products : 234 Moo.5,Prakasa Road.,Prakasa,Muang,Samutprakarn 10280 Thailand.

Tel: (662) 728-5246-8 Fax: (662) 728-5249

E-mail: info@p-general.com